

# Power packages

Power package is a compact and lightweight hydraulic source composed of a motor, a hydraulic pump, a relief valve, a check valve and an oil tank in a unit. Choose from our rich assortment of models ranging from manual operation types to remote control types. Powered by automobile batteries, they are used for industrial vehicles, cargo handling equipment and special vehicles.

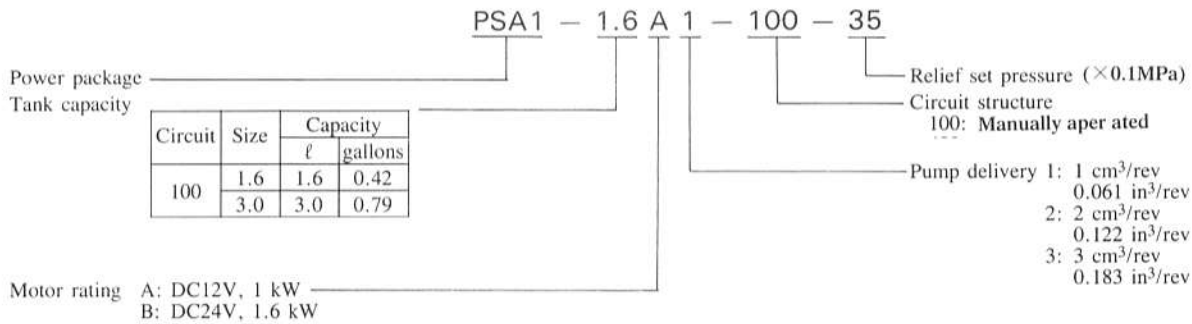
## DC power packages



### ● Features

1. With its housing and gear pump made of high resistant special aluminium alloy and alloy steel respectively, this power package ensures long life service.
2. Small power loss means energy efficient operation.
3. Lightweight and compact for easy mounting.
4. Safety valve is built in to prevent overloading.
5. Mounting direction is freely determined by changing the position of air breather.

### ● Model coding



### ● Selection table

Type	Hydraulic circuit	Motor rating	Model	Relief value max. set pressure		Delivery under the pressure of 10MPa		Current under the pressure of 10MPa
				MPa	psi	ℓ /min	gpm	(A)
100		DC12V 1.0 kW 1.3 HP	PAS1-※A1-100	12	1,714	2.5	0.66	115
			PAS1-※A2-100			4.0	1.06	145
			PAS1-※A3-100			5.0	1.32	175
		DC24V 1.6 kW 2.1 HP	PAS1-※B1-100			5.5	1.45	120
			PAS1-※B2-100			7.0	1.85	140

# AC power packages

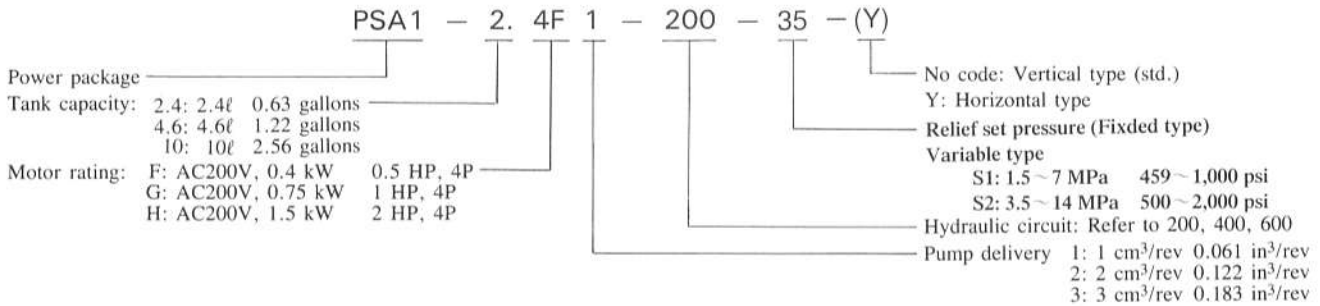


PSA1-2.4F1-200-S

## • Features

1. With its housing and gear pump made of high resistant special aluminium alloy and alloy steel respectively, this power package ensures long life service.
2. Small power loss means energy efficient operation.
3. Lightweight and compact for easy mounting.
4. Safety valve is built in to prevent overloading.

## • Model coding



## • Selection table

Type	Hydraulic circuit	Motor rating	Model coding	Max. pressure		Delivery under no load				
						50Hz		60Hz		
				MPa	psi	ℓ/min	gpm	ℓ/min	gpm	
200		AC200V 0.4 kW	0.5 HP	PSA1-※ F1-200	14	2,000	1.4	0.37	1.7	0.45
				PSA1-※ F2-200	7	1,000	2.8	0.74	3.4	0.90
				PSA1-※ F3-200	4	571	4.2	1.11	5.1	1.43
		AC200V 0.75 kW	1 HP	PSA1-※ G2-200	14	2,000	2.8	0.74	3.4	0.90
				PSA1-※ G3-200	9	1,286	4.2	1.11	5.1	1.43
				AC200V 1.5 kW	2 HP	PSA1-10H1-200	15	2,143	1.4	0.37
PSA1-10H2-200	2.8	0.74	3.4			0.90				
PSA1-10H3-200	4.2	1.11	5.1			1.43				
400		AC200V 0.4 kW	0.5 HP	PSA1-※ F1-400	14	2,000	1.4	0.37	1.7	0.45
				PSA1-※ F2-400	7	1,000	2.8	0.74	3.4	0.90
				PSA1-※ F3-400	4	571	4.2	1.11	5.1	1.43
		AC200V 0.75 kW	1 HP	PSA1-※ G2-400	14	2,000	2.8	0.74	3.4	0.90
				PSA1-※ G3-400	9	1,286	4.2	1.11	5.1	1.43
				600		AC200V 0.4 kW	0.5 HP	PSA1-※ F1-600	14	2,000
PSA1-※ F2-600	7	1,000	2.8					0.74	3.4	0.90
PSA1-※ F3-600	4	571	4.2					1.11	5.1	1.43
AC200V 0.75 kW	1 HP	PSA1-※ G2-600	14			2,000	2.8	0.74	3.4	0.90
		PSA1-※ G3-600	9			1,286	4.2	1.11	5.1	1.43
		AC200V 1.5 kW	2 HP			PSA1-10H1-600	15	2,143	1.4	0.37
PSA1-10H2-600	2.8			0.74	3.4	0.90				
PSA1-10H3-600	4.2			1.11	5.1	1.43				